

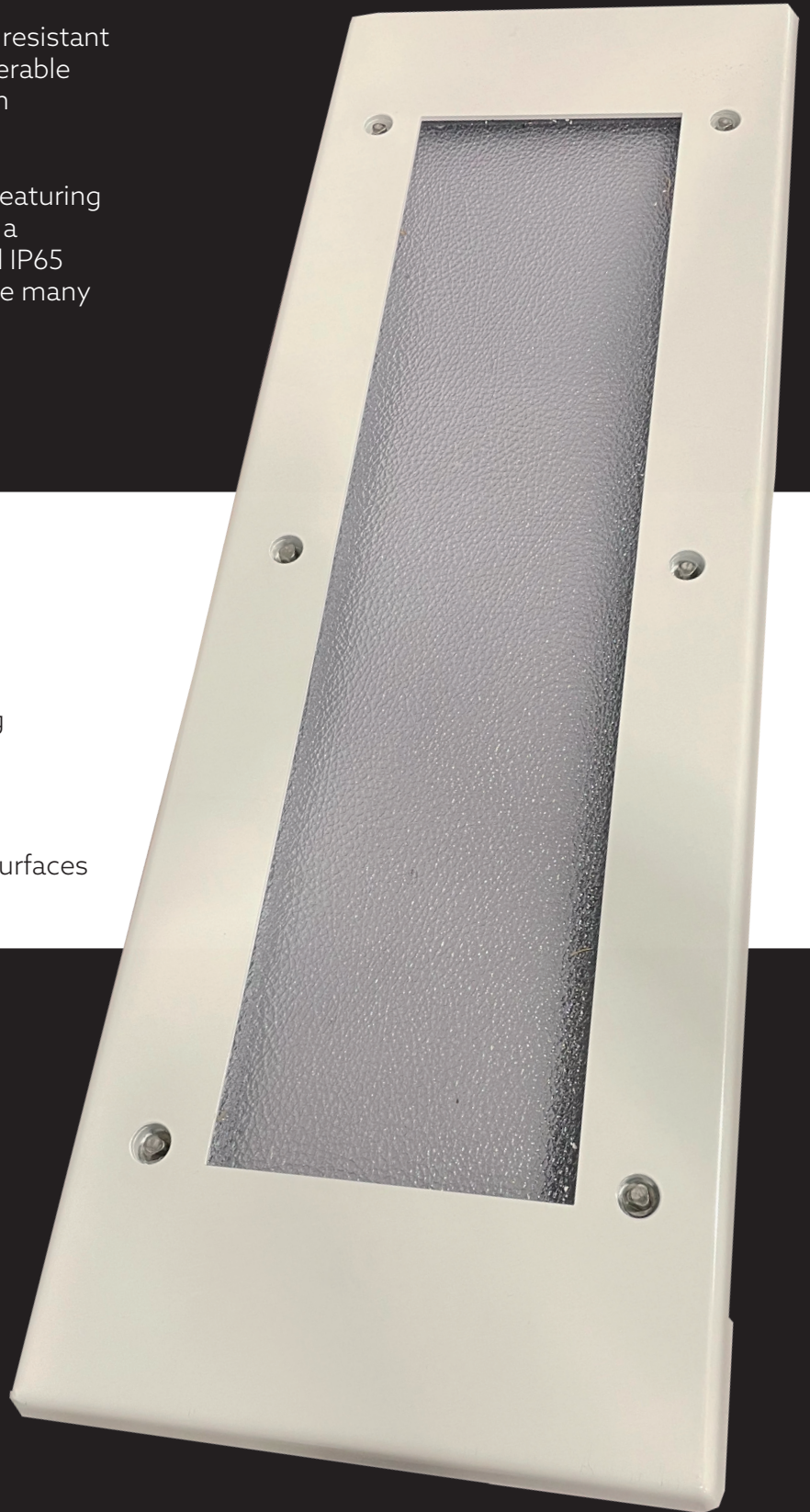
The Portland SUBLUX is a tough vandal resistant lighting system ideal for lighting in vulnerable undercover locations such as pedestrian underpasses, car parks and stair wells.

Manufactured from stainless steel and featuring a tough 10mm Polycarbonate lens with a replaceable anti-graffiti facing panel and IP65 sealing, any SUBLUX installation will give many years of trouble-free service.

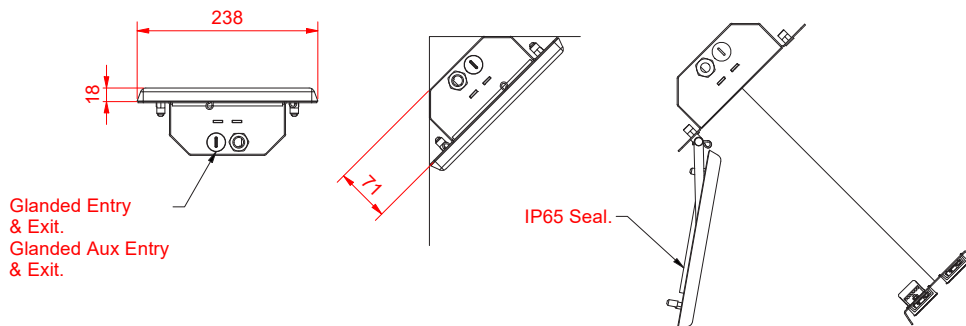
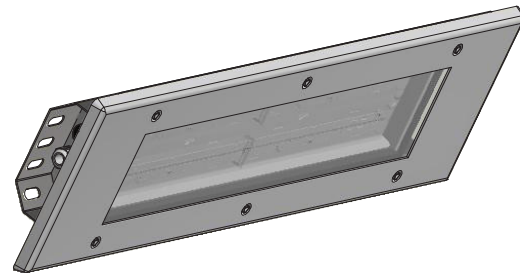
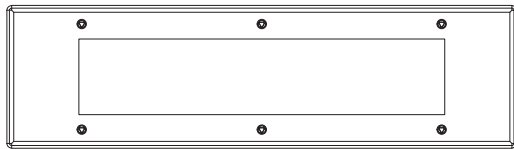
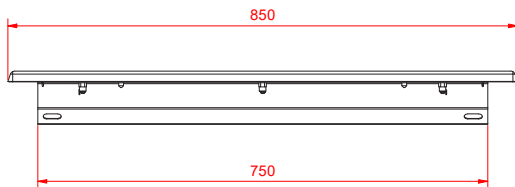
- ◆ Stainless Steel Construction
- ◆ 10mm polycarbonate glazing
- ◆ 1mm anti-graffiti panel
- ◆ Quick release hinge pins
- ◆ High efficiency dimmable LED lighting
- ◆ IP65 Sealing
- ◆ Surveys and lighting design service
- ◆ Full range of Infills and fittings
- ◆ Anti-Graffiti treatment to all painted surfaces

Light Engine features standard LED modules and Driver.

Multiple fixing options for other manufacturers reducing inventory variants.



Technical Specification



Construction

Body	1.5mm fabricated stainless steel. Gear enclosure using supplied 25mm glands is IP65 certified. IP integrity is independent of installation fixing points.
Glazing Frame	3.0 mm fabricated stainless steel, polyester powder coated white. Secured using 6 No. positively captivated and rebated security screws, with assisted alignment feature to ease access and replacement. Easily replaceable standard glazing comprises 1x10mm polycarbonate panel with 1mm graffiti protection screen. Stainless hinge system with simple release hinge pin allows quick removal of glazing frame to reduce unit weight during installation.
Lighting Unit	Osram IP 67 driver with Dali 2 and near field dimming. 2 x standard 600mm LED modules each with 4,450 maximum Lumen output. Efficacy 179lm/Watt. All mounted on a 1.5mm aluminium gear tray, polyester powder coated white.