

The Portland Hydra is a versatile, high specification sign light with a range of interchangeable optics and hardware, enabling one unit to meet all of the sign lighting requirements of regulatory signs from 600mm up to 1500mm.

Manufactured from marine grade alloy the main body is designed with room for all modern control systems.

A superior sealing system achieves maintainable IP66 protection, and a custom designed optic reduces power consumption to as low as 1 watt when illuminating 600 and 750mm signs to class E2 (see power table overleaf).



- A modular system lighting signs up to 1500mm
- Very low power consumption - 1 watt
- IP 66 sealing
- Fully maintainable in line with TM66
- Roomy design for additional controls
- Coloured street visible indicator for lighting class

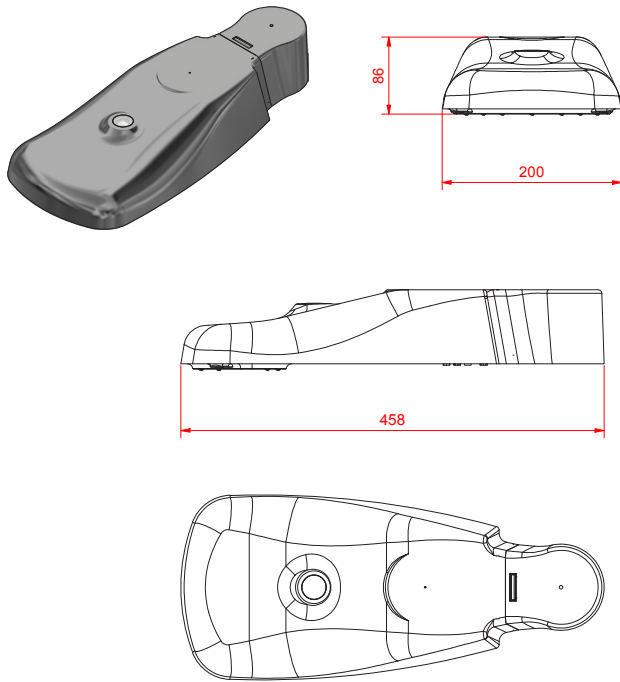
Totally maintainable with secure access to all components and a range of brackets to meet all site requirements.

The Hydra also simplifies inventory with one unit to meet both Type A and Type B lighting categories. A simple low-cost spacer is used to increase outreach for larger signs.

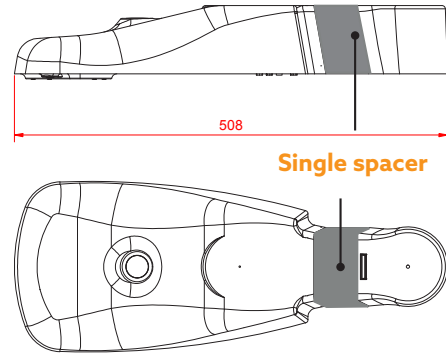
A discrete coloured indicator, visible from street level, confirms which gear tray is installed allowing a quick and easy site audit.

Technical Specification

600/750 configuration

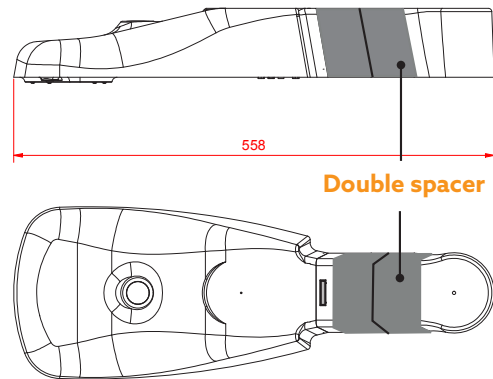


900/1200 configuration



Single spacer

1500 configuration



Double spacer

Power Consumption

Sign Size (mm)	Lighting Class	Power Consumption	Indicator Colour
600 & 750	E2 UE3	1 watt	Green
600 & 750	E3 UE3	6 watts	Blue
900 & 1200	E2 UE3	2 watts	Green
900 & 1200	E3 UE3	11 watts	Blue
1500	E2 UE2	11 watts	Green

Construction

Body	Pressure die cast marine grade aluminium, polyester powder coated grey or black. Body mates to a range of post fixing brackets. Stainless steel treaded inserts.
Lens Tray	Hinged pressure die cast marine grade aluminium polyester powder coated grey or black. Carries silicon tray seal and 4mm poly carbonate lense.
Lighting	Custom designed optic for standard signs 600mm to 1500mm Class E2 to E3. Driver and optical board mounted on a 1.5mm aluminium gear tray polyester powder coated white.